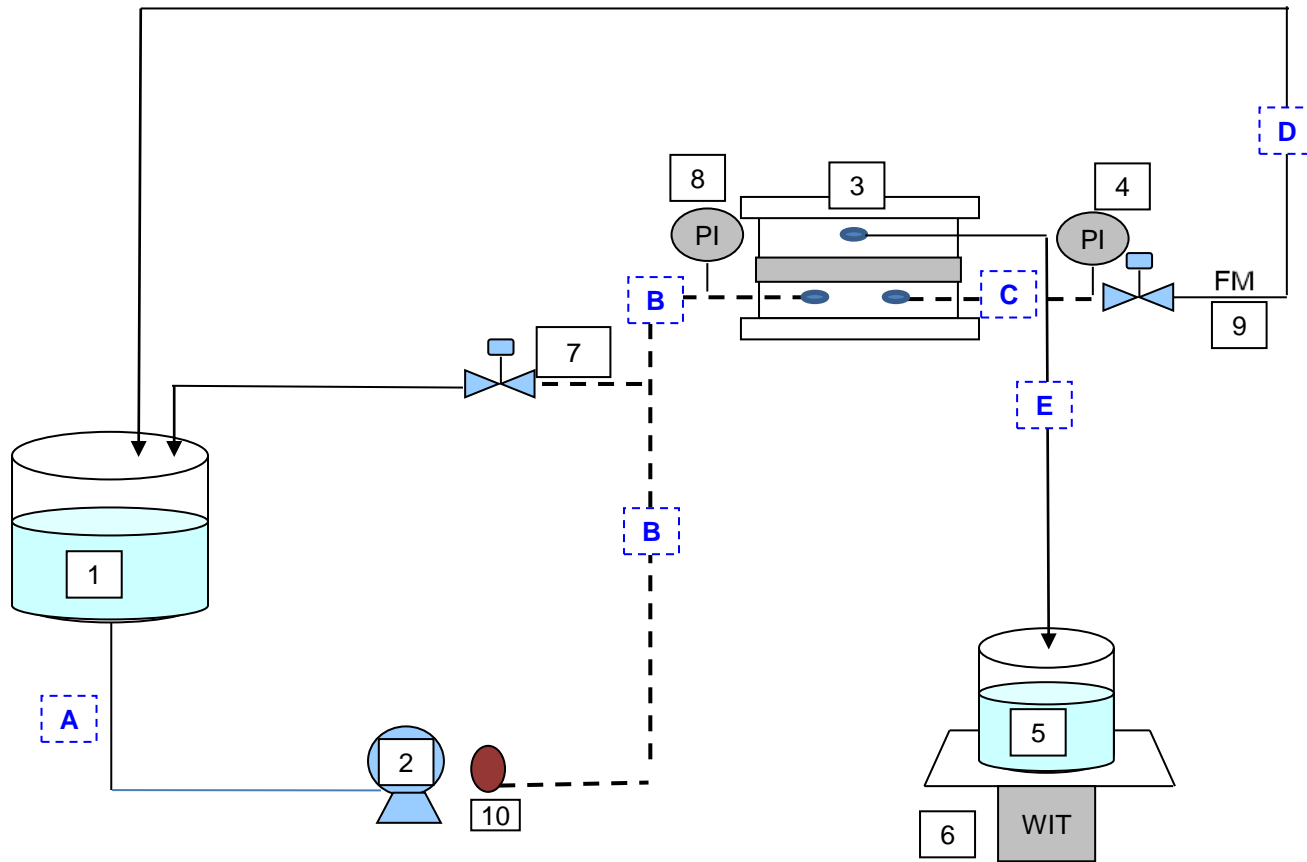


Sterlitech Sepa CF Basic Setup Diagram

Sterlitech Corporation, Updated 2011



Item	Item
1	Concentrate/Feed Tank (1230066 (1.5 Gallon) or 1230067 (5 Gallon) Stainless Steel Tank)
2	Feed pump, options from Sterlitech
3	Sepa CF Cell (P/N 1230060)
4	Concentrate Control Valve, Needle Valve (included with Sepa CF)
5	Permeate Collector (not supplied by Sterlitech)
6	Balance for measuring permeate mass (optional)
7	Needle valve with "T" for bypass, 3/8" Tube Connection (P/N 1149421)
8	Pressure gauge with "T", 3/8" Tube Connection (1149420)
9	Flow Meter (F-55376L)
10	Pulsation Dampener (110-065), Optional accessory

Pipe	Description
A	3/8" Nylon Tubing (included with Sepa CF)
B	3/8" FNPT Flex or Rigid tubing (Sterlitech flex tubing P/N SepaHose)
C	3/8" FNPT Rigid Tubing attached assembled with Concentrate control valve (#4)
D	1/4" Nylon Tubing (optional)
E	1/8" Nylon Tubing (included)